



## Injectable Powder Filling Machine

### DRYFILL-120<sup>i</sup> Injectable Powder Filling with Rubber Stoppering Machine

The Automatic Injectable Powder Filling with Rubber Stoppering Machine Model DRYFILL-120<sup>i</sup>, is suitable for Round Vials with maximum speed of 120 Vials per minute. Specially Machine construction in fully Stainless Steel finish including machine frame structure. Machine with built-in Turn Tables at In-feed and Out-feed with individual drives to match the speed of incoming and outgoing vials for smoother operation. All parts coming in contact with Powders are made from Ss316 Materials. The Machine is equipped with Single Head Single Track Eight Port Powder wheel, which works on Vacuum and Air Systems to Fill powder in Vials, with on-line Vibrator type Rubber Stoppering system, The stopper inserting system operates in a continuous mode with synchronized speed of machine. Machines also comes in various options like Single Track Double Powder Wheel, Double Track Double Powder Wheel, Single Track Single Powder Wheel and Double Track Single Powder Wheel System to match the customers customised requirements.



#### OPTIONAL FEATURES :

- No Vial - No Fill System
- All contact parts made of SS316 material with easy removal system for AutoClaving/Sterilization
- Machine construction in SS304 material
- Separate Variable Speed Drive for Powder Hopper
- No Crossover Contamination during Charging of Powder due to new Design of Powder Hopper
- Hopper can be completely dismental for easy cleaning
- Minimum residue of Powder in Hopper at the end of batch resulting in less wastage of powder
- Tool Less adjustment of Doctor Blade and Wiper Blade saves valuable time and easy for setting
- Tool Less change over for Powder Hopper and Well Agitator
- Filling Accuracy of +/- 1% depending on powder at controlled humidity below 30% Rh
- Built in Rubber Stoppering System
- Multiple dosing system with the help of change parts
- Built in Turn Tables with Separate Drive for speed control of infeed and outfeed of vials
- Various safety features including Clutch system for Vial Breackage
- Machine Bottom with all over minimum clearance of 6" Height
- Moving conveyor above the top plate maintaining proper gap for meeting current application needs.
- Automatic Infeed and Exit of Vials
- Powder Hopper for charging with better position and design without crossing the line.
- No Stopper - Machine Stop System
- Low Air - Machine Stop System
- Low Vacuum - Machine Stop System
- Heavy Duty Mounting system for Powder Wheel for Trouble Free long term opeation

## TECHNICAL SPECIFICATIONS

Vial Diameter : 25mm to 38mm

Vial Height : 75mm Maximum

Rubber Stopper Diameter : 20mm

Fill Range : 50mg. To 1.5 gms. In Single Dose, 1.5 gms. To 6 gms. In Double, Triple and Four Dose system

Accuracy : +/- 1% Depending upon the Powder, under the controlled level of Humidity

Humidity : Below 30% Rh required on machine to be arrange by customer

Electrical : 415VAC 3Phase and 220 VAC Single Phase Power Supply (50 Hz) with A.C. Drive

Power : 2.0 H.P.

Compressed Air :Filtered, Oil Free 4kg/cm<sup>2</sup> provided by customer only

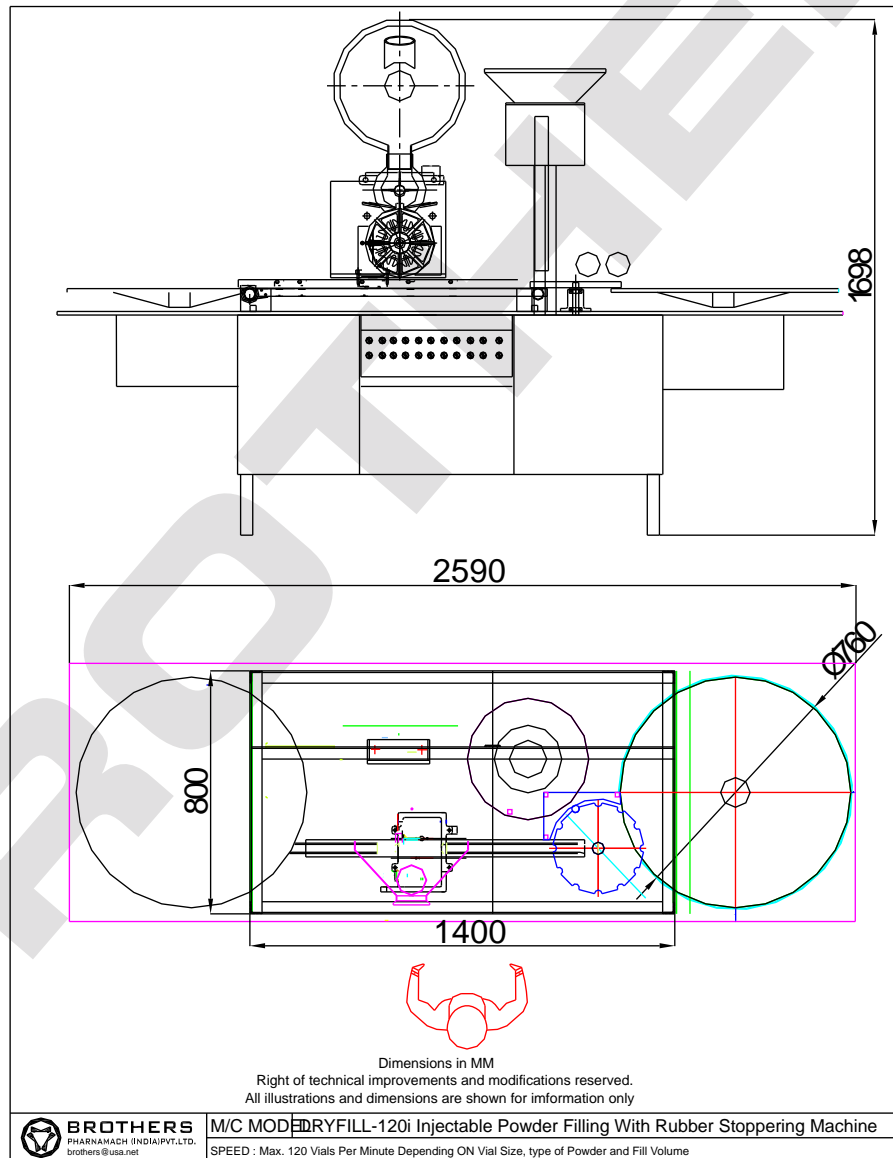
Vacuum : 28" Hg. @ 300 LPM, provided by Customers only, 500LPM recommended

Conveyor Height : 815-940 mm

Overall Dimensions : 2800 mm (L) x 840 mm (W) x 1675 mm, Model AHPF-120

Speed : Max. 120 Vials per minute in Single Dose, Max. 60 Vials per minute in Double Dose, Max. 40 Vials per minute in Triple Dose and Max. 30 Vials per minute in Four Dose system

\* Specification can be changed as per customers requirements



**BROTHERS PHARMAMACH (INDIA) PVT. LTD.**

Plot No.2, Phase II, GIDC, Vatva, Ahmedabad 382445. INDIA  
Phone : +91 79 40213213, 25831346 Fax: +91 79 40213220  
+91 9825037971, 9825006052  
Email : sales@brothers.in mevada@usa.net website : www.brothers.in