



BROTHERS™
PHARMAMACH (INDIA) PVT. LTD.

Semi Automatic Liquid Filling Machine

LIQFILL-20 Semi Automatic Volumetric Liquid Filling Machine

Semi Automatic Twin Head Volumetric Liquid Vial/Bottle Filling Machine Model LIQFILL-20 is suitable for Round or Flat shape Bottles or Vials with maximum speed of 25 Products per minute.

The Machine can give speed of 20 to 25 per minute depending on nature of Liquids, Neck Diameter or Vial/Bottle and Fill Volume. Machine suitable for small volume production having multiple products.

Machine construction in Stainless Steel finish with Twin Head Operation. All parts coming in contact with Liquids are made from SS 316 Materials.



SPECIAL FEATURES :

- No Product - No Fill System
- All contact parts are made of SS 316 material with easy removal system for Auto-Claving/Sterilization/cleaning
- Machine construction in SS 304 material
- Very High Fill Accuracy
- Minimum Change Over time

TECHNICAL SPECIFICATIONS

Fill Range : 50ml to 100ml* with the help of Change Parts / Syringes

Accuracy : +/- 1% Depending on Liquid with Single Dose

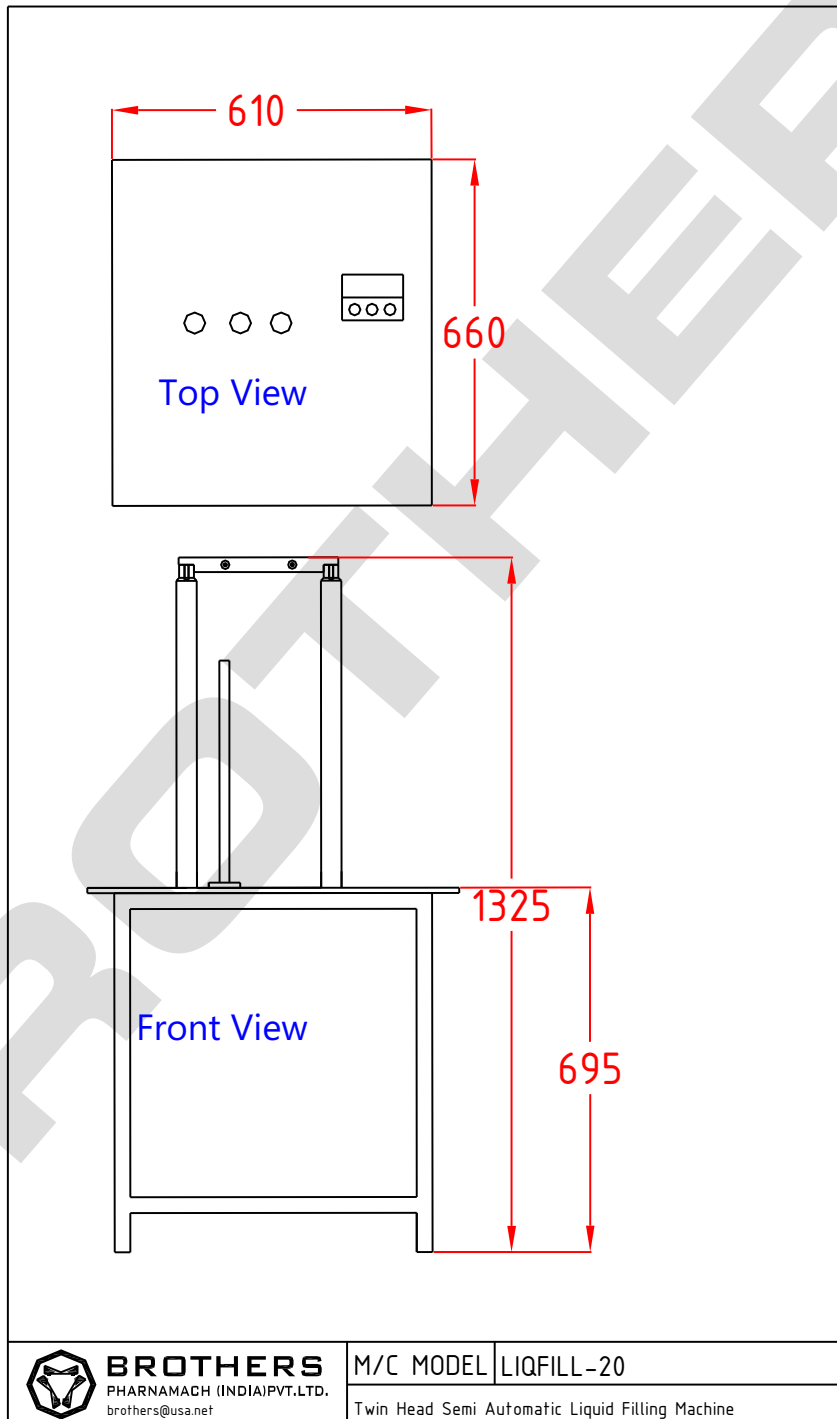
Electrical : 415 VAC Three Phase Power Supply (50 Hz)

Power : 1.0 H.P.

Speed : Max. 40 per minute

Syringe Fill Range: 1ml to 5ml, 2ml to 10ml and 10ml to 50ml, 50ml to 100ml, 100ml to 250ml and 250ml to 500ml*

* Specification can be changed as per customers requirements



BROTHERS PHARMAMACH (INDIA) PVT. LTD.

Plot No.2, Phase II, GIDC, Vatva, Ahmedabad 382445. INDIA
Phone : +91 79 40213213, 25831346 Fax: +91 79 40213220
+91 9825037971, 9825006052

Email : info@brothers.in mevada@usa.net Website : www.brothers.in